



## SmartNode™ 10200 Series TDM+VoIP Smart Media Gateway

Offering industry-leading highest port density, scalability, and lowest operating costs, the SmartNode 10200 Series is a carrier-grade family of media gateways for service providers looking to drive convergence between TDM and IP networks, replacing multiple devices for signaling, connectivity, and media transcoding with a single device

### 16 to 64 x T1/E1/J1, 1 to 3 DS3, or 1 OC3/STM-1 in a 2U chassis

Highest system density in the market means the lowest cost per port; up to 66% rack and space cost savings

### 512 to 2,048 VoIP channels (field upgradable)

Simple field upgrade by 16 T1/E1 and 512 VoIP channels or 1 DS3 and 672 VoIP channels.

### Increased system up-time

SS7 link redundancy, dual power supply support, field-upgradable components

### Low operating expense (up to 80% cost savings) significantly improves ROI

Low power consumption (150 W for the SN10200 at full capacity)

### Connect with confidence to diverse VoIP endpoints and IP fax

Extensive media handling support for wireline, wireless and fax codecs

### SmartNode™ Awards

- 2011 Internet Telephony Product of the Year: SmartNode™ 5400/2GS
- 2010 Internet Telephony Product of the Year: SmartNode™ 5400
- 2009 Internet Telephony Product of the Year: SmartNode™ 4400 Series
- 2008 Internet Telephony Product of the Year: SmartNode™ 4961
- 2007 Internet Telephony Product of the Year: SmartNode™ S-DTA
- 2006 Internet Telephony Product of the Year: SmartNode™ 4960
- 2005 Internet Telephony Product of the Year: SmartNode™ 4630

Service providers are adding VoIP capabilities to their networks, whether to reduce costs when interconnecting with other carriers, to cost-effectively build out their network footprints, or simply to transport voice traffic across their IP backbones. This can be best accomplished using a SmartNode 10200 Series media gateway, that enables the delivery of VoIP services by bridging voice traffic between the public switched telephone network (PSTN)—based on time-division multiplexing (TDM)—and IP networks such as the Internet. Whether sitting at the network core or at the edge, SmartNode media gateways enable service providers to introduce VoIP into their networks while maintaining the quality and the reliability of traditional TDM networks.

### TDM interfaces

Service providers, whether providing local, long-distance or international voice services, are interconnected with a multitude of other providers using T1/E1/J1, DS3 or STM-1 links. It is critical for service providers to be able to rapidly establish new interconnections without having to always deploy new devices. SmartNode 10200 Series media gateways therefore offer flexibility and can be config-

ured to support T1/E1/J1, DS-3 or STM-1 interfaces.

### Signaling and control protocols

Just as flexibility in the selection and deployment of TDM links is a key requirement for service providers, the need to support multiple signaling protocols across various carrier partners is just as important. Each SN10200 media gateway provides support for the concurrent use of ISDN, SS7/C7, CAS (R2), SIP, and SIGTRAN signaling in the same device. The ability to provide both switching and conversion across multiple TDM and IP signaling protocols at once is paramount to enabling the operational flexibility and cost savings that drive service providers to expand their carrier relationships and converge their networks.

In parallel with the TDM and IP signaling protocols mentioned above, SN10200 devices also support the H.248 media gateway control protocol, which enables any H.248-compliant third-party softswitch to control a media gateway. While the softswitch manages call control interactions, the SN10200 handles transmission of call media as well as any required transcoding.



## Media handling

Service providers will use one or more codecs on their VoIP networks according to their desire to save bandwidth, to provide a certain level of voice quality, or simply to interoperate with other VoIP devices or providers. The ability to support multiple different concurrent codecs and to allocate them in real time based on traffic is the key to delivering true network convergence.

SmartNode 10200 gateways feature extensive support for various wireline, mobile and IP telephony audio formats, delivering seamless transcoding in real-time. The media gateways ship with support for G.711, G.723.1, G.726, and G.729ab right out of the box, with no additional license fee required. They also offer optional support for mobile and IP vocoders such as AMR, AMR-WB (G.722.2), GSMFR/ GSM-EFR, EVRC/QCELP, G.728, G.729eg, and iLBC. SN10200 gateways offer independent dynamic codec selection per channel. This means that it is possible to assign different vocoders to different channels, on a

channel-by-channel basis. The devices can then run all of these codecs concurrently and do so with no impact on system performance.

SN10200 gateways also provide unparalleled support for Internet-based fax, also known as Fax over IP or Fax relay, using the T.38 protocol, which is used to carry fax communications over an IP network. (They also support the T.30 protocol for fax over the PSTN.)

## System density

SN10200 gateways feature the industry's highest system density in a 2U form factor. Beside the capital savings achieved by purchasing less units of equipment, system density also provides operational cost savings in the form of reduced co-location fees as well as lower power and cooling costs.

## Energy efficiency

For many, if not most, service providers, the payoff from reducing energy use can be particularly impressive; typically, for every watt of power required to operate a device,

another watt is required to cool it. The SN10200 media gateways can play a major role in reducing energy costs, with an average two-thirds less power consumption than competing products of similar capacity.

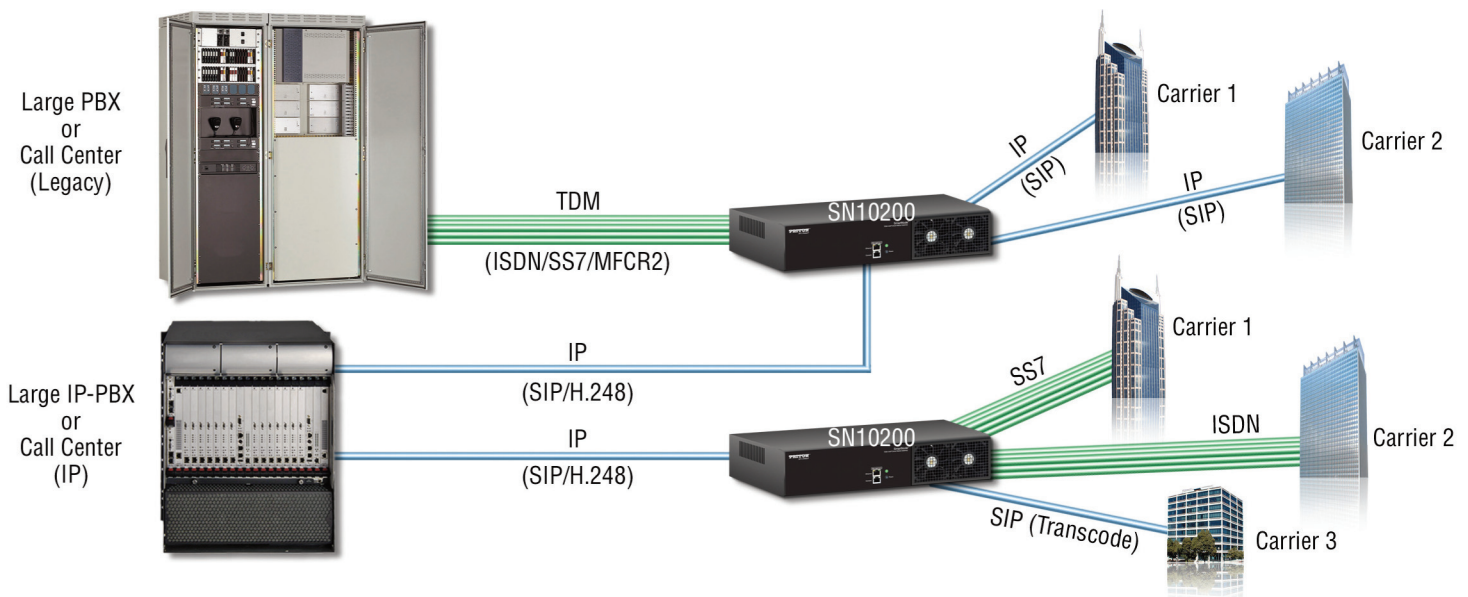
## Provisioning and maintenance

For network convergence efforts to contribute positively to revenue and profitability, service providers must maintain their reputation for uptime and availability during the introduction, operation, and maintenance of new services. The SN10200 offers OAM&P, an operations, administration, maintenance, provisioning (OAM&P) solution. OAM&P enables the service provider to perform the initial setup of the SN10200 media gateway and any subsequent maintenance operations. These range from the simple, such as the collection of statistics and alarms, to the more complex, such as system configuration changes, the addition of new hardware or software components, and the application of software patches or software upgrades.

## Enterprise Application

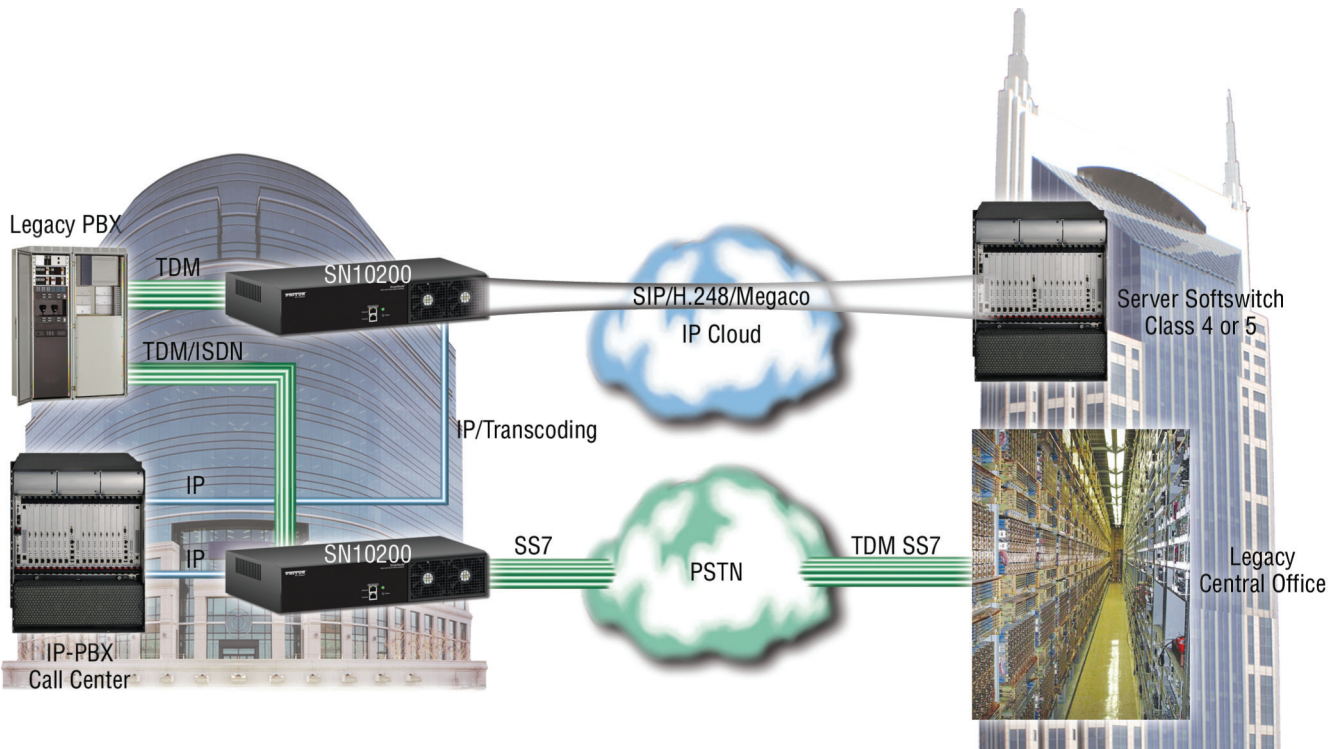
In the Enterprise market, SmartNode now offers a solution to the large Enterprise. We are substantially increasing TDM/digital port density to be the best and most reliable high-density Media Gateway going from 512 up to 2048 VoIP calls. Now SmartNode offers from

1 analog port to up to 64 T1/E1 or 3 DS3 in a single box. The SmartNode 10200 is a key component for business trunking, call center, and transcoding solutions for the Enterprise.

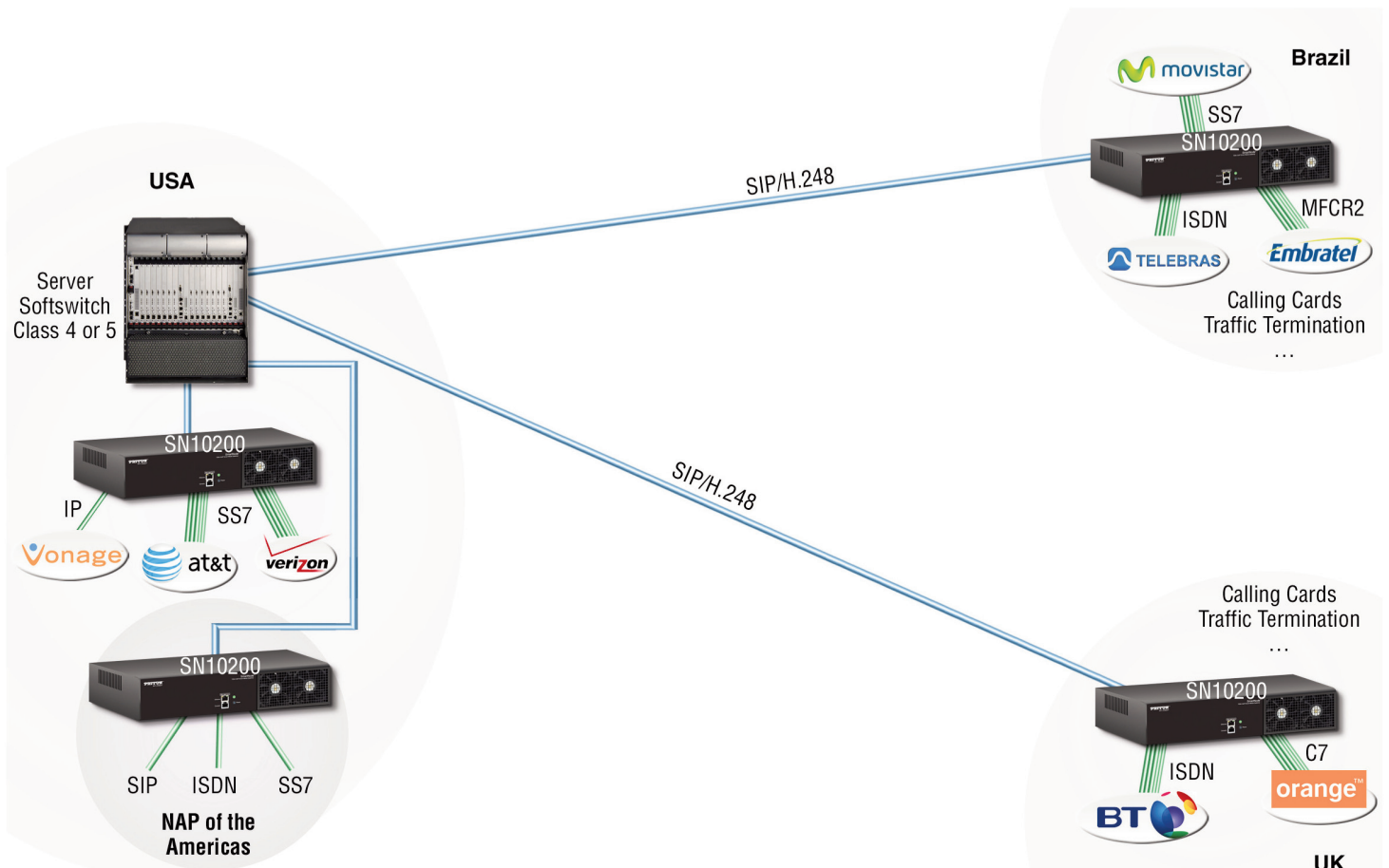


## Carrier Applications

In the Carrier market, the SmartNode has become a preferred advanced CPE and the SmartNode 10200 expands the portfolio with a high traffic CPE.



In addition, the SmartNode 10200 expands our reach onto the Carrier as the Media Gateway is a key component for applications at the Carrier operational level as well as in connecting advanced value-added services.



## Specifications\*

### Capacity and voice processing

**VoIP channels**—512 to 2,016

**PSTN interfaces**—1 OC3/STM1 with APS (automatic protection switching) • 1 to 3 DS3 • Dual RJ48C for BITS or T1/E1 for signaling

**VoIP interfaces**—Dual 100/1000Base-T • RJ45 connectors on rear of unit

**Vocoding**—Universal codecs: G.711, G.723.1, G.726, G.729ab, T.38 • Other codecs: G.722.2 (AMR-WB), G.728, G.729eg, iLBC, clear mode (RFC 4040)

**Fax/Modem/Data**—T.38 fax relay (V.17 and V.34) • Automatic G.711 fallback • Modem and data pass-through

**DTMF relay**—RFC 2833, SIP INFO Method, In-band

**Echo cancellation**—G.168 echo cancellation • 128 ms echo tail on all channels simultaneously

**Voice processing**—Dynamic and programmable jitter buffer (20 to 200 ms) • Voice activity detection (VAD) • Comfort noise generation (CNG)

**Management interfaces**—Dual 100/1000Base-T for OAM&P

### Simultaneous signaling support

**SIP**—Supported RFCs: 2327, 2976, 3261, 3262, 3263, 3264, 3311\*, 3323\*, 3325\*, 3398, 3515\*, 3578\*, 3764, 3891, 4028 (\*partial compliance)

**SIGTRAN**—M2PA, M2UA, M3UA, IUA • SS7 termination and/or relay supported

**SS7**—Up to 64 x MTP2 links (56, 64, n x 56/64 kbps, HSL) • Multiple redundant MTP2 links • Up to 64 MTP3 originating point codes and linksets • ISUP variants: ITU 92, ITU 97, ANSI 88, ANSI 92, ANSI 95, Telcordia 97, ETSIv2, ETSIv3, China, Singapore, UK Brazil

**ISDN PRI**—Q.931 ISDN PRI: NI-2, 4ESS, 5ESS, DMS-100, DMS-250, Euro ISDN ETSI NET5 (France, Germany, UK, China, Hong Kong, Korea), NTT (Japan), Australia

**CAS**—MFC R2 (standard ITU, Brazil) • Customizable protocol script files

### SmartNode-CONTROL

Standalone call control—Any to any call routing (TDM-VoIP, TDM-TDM, VoIP-VoIP with transcoding) • Call routing based on: trunk group, calling/called numbers, nature of address, ASR, time

of day, load-based, cost-based, TO:, FROM: Request URI, redirect numbers, and other parameters • NPA-NXX routing (100k+ table entries, Excel or CVS file upload) • Route retries • Call transfer (REFER, AT&T TR 50075)

**H.248 (MEGACO) call control**—ITU-T H.248 versions 1 and 2 • UDP, SCTP, IPsec transport • DTMF and fax detection • DTMF, announcements and call progress tone generation • Call quality and inactivity alerts

**Session management and billing**—SIP peer availability polling • RTP inactivity monitoring • CDR generation (RADIUS and text file)

### OAM&P

**Operation & Administration**—Web-based system status and operations • SNMP v2/v3 GET, TRAPS and alarms • Dynamic configuration changes

**Maintenance**—Web-based interface for maintenance • Automated system upgrade • System backup, restore and copy

**Provisioning**—Web-based interface for configuration • Dynamic activation

**Troubleshooting**—Per-call tracing (history and/or live) • Signalling capture tools • SSH command-line interface

### Electrical characteristics

**Power input**—90 to 260 VAC, 47 to 63 Hz • -40 to -60 VDC • Redundant power supply with dual power inputs • Maximum 138 W power consumption

### Physical characteristics

**Dimensions**—2U, 3.5H x 17.4W x 16D in. (88.9H x 442W x 406D mm)

**Weight**—20 lbs (9.1 kg)

### Regulatory compliance

**UL/CSA 60950, CSA C22.2**—EMC: FCC Part 15:2009, Subpart B, CE Mark (EN55022:2006, Class A, EM60950, EN61000, ETS 300 386)

### Environmental

**Operating temp**—0 to +55 °C • 95% relative humidity, non-condensing

**Storage temp**—-10 to +75 °C, 95% relative humidity, non-condensing

**NEBS Level 3 compliant**

**RoHS compliant**

\* Specifications subject to change without notice.

## Ordering Info

**SN10200/16E/RUI:** SmartNode SmartMedia Gateway 16 E1/T1, 512 VoIP Channels with Standard Signaling Set. Redundant Universal AC Power

**SN10200/16E/R48:** SmartNode SmartMedia Gateway 16 E1/T1, 512 VoIP Channels with Standard Signaling Set. Redundant -48V DC Power

**SN10200/32E/RUI:** SmartNode SmartMedia Gateway 32 E1/T1, 1024 VoIP Channels with Standard Signaling Set. Redundant Universal AC Power

**SN10200/32E/R48:** SmartNode SmartMedia Gateway 32 E1/T1, 1024 VoIP Channels with Standard Signaling Set. Redundant -48V DC Power

**SN10200/48E/RUI:** SmartNode SmartMedia Gateway 48 E1/T1, 1536 VoIP Channels with Standard Signaling Set. Redundant Universal AC Power

**SN10200/48E/R48:** SmartNode SmartMedia Gateway 48 E1/T1, 1536 VoIP Channels with Standard Signaling Set. Redundant -48V DC Power

**SN10200/64E/RUI:** SmartNode SmartMedia Gateway 64 E1/T1, 2048 VoIP Channels with Standard Signaling Set. Redundant Universal AC Power

**SN10200/64E/R48:** SmartNode SmartMedia Gateway 64 E1/T1, 2048 VoIP Channels with Standard Signaling Set. Redundant -48V DC Power

**SN10200/1DS3/RUI:** SmartNode SmartMedia Gateway 1 DS3, 672 VoIP Channels with Standard Signaling Set. Redundant Universal AC Power

**SN10200/1DS3/R48:** SmartNode SmartMedia Gateway 1 DS3, 672 VoIP Channels with Standard Signaling Set. Redundant -48V DC Power

**SN10200/2DS3/RUI:** SmartNode SmartMedia Gateway 2 DS3, 1344 VoIP Channels with Standard Signaling Set. Redundant Universal AC Power

**SN10200/2DS3/R48:** SmartNode SmartMedia Gateway 2 DS3, 1344 VoIP Channels with Standard Signaling Set. Redundant -48V DC Power

**SN10200/3DS3/RUI:** SmartNode SmartMedia Gateway 3 DS3, 2016 VoIP Channels with Standard Signaling Set. Redundant Universal AC Power

**SN10200/3DS3/R48:** SmartNode SmartMedia Gateway 3 DS3, 2016 VoIP Channels with Standard Signaling Set. Redundant -48V DC Power

**SN10200/STM1/RUI:** SmartNode SmartMedia Gateway 1 OC3/STM-1, 2016 VoIP Channels with Standard Signaling Set. Redundant Universal AC Power

**SN10200/STM1/R48:** SmartNode SmartMedia Gateway 1 OC3/STM-1, 2016 VoIP Channels with Standard Signaling Set. Redundant -48V DC Power

### Upgrades & Options

**SNSW-SN10200-16E:** SN SmartMedia Gateway 16 T1/E1 with 512 VoIP Channels, Hardware & Software Upgrade

**SNSW-SN10200-1DS3:** SN SmartMedia Gateway 1 DS3 with 672 VoIP Channels, Hardware & Software Upgrade

**SNSW-1-SS7:** SN SmartMedia Single Link SS7 MTP2, MTP3, ISUP License

**SNSW-2-SS7:** SN SmartMedia SS7 MTP2, MTP3, ISUP 2-Link License

**SNSW-4-SS7:** SN SmartMedia SS7 MTP2, MTP3, ISUP 4-Link License

**SNSW-8-SS7:** SN SmartMedia SS7 MTP2, MTP3, ISUP 8-Link License

**SNSW-16-SS7:** SN SmartMedia SS7 MTP2, MTP3, ISUP 16-Link License

**SNSW-32-SS7:** SN SmartMedia SS7 MTP2, MTP3, ISUP 32-Link License

**SNSW-64-SS7:** SN SmartMedia SS7 MTP2, MTP3, ISUP 64-Link License

**SNSW-1plus-SS7-1:** SN SmartMedia Single Link MTP2, MTP3, ISUP License Upgrade

**SNSW-M2PA-SIGTRAN:** SN SmartMedia SIGTRAN Termination License for M2PA



**Patton Electronics Co.**  
7622 Rickenbacker Drive  
Gaithersburg, Maryland 20879  
USA  
Phone +1 301 975 1000  
Fax +1 301 869 9293  
E-mail [sales@patton.com](mailto:sales@patton.com)  
Web [www.patton.com](http://www.patton.com)

**Patton-Inalp Networks AG**  
Meriedweg 7  
CH-3172 Niederwangen  
Switzerland  
Phone +41 (31) 985 25 25  
Fax +41 (31) 985 25 26  
E-mail [sales@inalp.com](mailto:sales@inalp.com)  
Web [www.inalp.com](http://www.inalp.com)

**Patton Hungary Zrt**  
Gábor Dénes utca 4.  
Infopark Building C  
Budapest H-1117  
Hungary  
Phone +36 1 439 4840  
Fax +36 1 439 4844  
E-mail [ce@patton.com](mailto:ce@patton.com)  
Web [www.patton.com](http://www.patton.com)

07MSN10200-DS3

Patton is a registered trademark and the terms SmartNode, DownStreamQoS, and SessionRouter are trademarks of Patton Electronics Company in the United States and other countries.