

USER MANUAL

Model 6010 Series POTS/ISDN Splitter Shelf



This is a Class A device and is intended for use in a light industrial environment. It is not intended nor approved for use in an industrial or residential environment.



Part# 07M6010-UM
Rev. B
Revised 11/10/08

SALES OFFICE
(301) 975-1000
TECHNICAL SUPPORT
(301) 975-1007

An ISO-9001 Certified
Company

CONTENTS

- 1.0 Warranty Information 3**
- 1.1 Compliance..... 3
 - EMC Compliance:..... 3
 - Safety Compliance: 3
- 1.2 CE Declaration of Conformity 3
- 1.3 Service..... 4
- 1.4 Safety When Working With Electricity 4
- 2.0 General Information..... 5**
- 3.0 Installing the Shelf 6**
- 4.0 Grounding the Shelf 8**
- 5.0 Cabling Overview..... 9**
- 6.0 Connector Pinouts..... 9**
- 6.1 Connector Pinouts Table 10

1.0 WARRANTY INFORMATION

Patton Electronics warrants all Model 6010 Series and Model 3101SC components to be free from defects, and will—at our option—repair or replace the product should it fail within one year from the first date of the shipment.

This warranty is limited to defects in workmanship or materials, and does not cover customer damage, abuse or unauthorized modification. If this product fails or does not perform as warranted, your sole recourse shall be repair or replacement as described above. Under no condition shall **Patton Electronics** be liable for any damages incurred by the use of this product. These damages include, but are not limited to, the following: lost profits, lost savings and incidental or consequential damages arising from the use of or inability to use this product. **Patton Electronics** specifically disclaims all other warranties, expressed or implied, and the installation or use of this product shall be deemed an acceptance of these terms by the user.

Note Conformity documents of all Patton products can be viewed online at www.patton.com under the appropriate product page.

1.1 COMPLIANCE

EMC Compliance:

- EN55022, Class A
- EN55024

Safety Compliance:

- EN 60950-1

1.2 CE DECLARATION OF CONFORMITY

We certify that the apparatus identified in this document conforms to the requirements of Council Directive 1999/5/EC on the approximation of the laws of the member states relating to Radio and Telecommunication Terminal Equipment and the mutual recognition of their conformity.

The safety advice in the documentation accompanying this product shall be obeyed. The conformity to the above directive is indicated by the CE sign on the device.

1.3 SERVICE

All warranty and non-warranty repairs must be returned freight prepaid and insured to Patton Electronics. All returns must have a Return Materials Authorization number on the outside of the shipping container. This number may be obtained from Patton Electronics Technical Services at:

- Tel: **+1 (301) 975-1007**
- Email: **support@patton.com**
- URL: **http://www.patton.com**

Note Packages received without an RMA number will not be accepted.

1.4 SAFETY WHEN WORKING WITH ELECTRICITY



- **This device contains no user serviceable parts. The equipment shall be returned to Patton Electronics for repairs, or repaired by qualified service personnel.**
- **Do not work on the system or connect or disconnect cables during periods of lightning activity.**
- **When detaching the telephone network cables, detach the end away from the device first.**



In accordance with the requirements of council directive 2002/96/EC on Waste of Electrical and Electronic Equipment (WEEE), ensure that at end-of-life you separate this product from other waste and scrap and deliver to the WEEE collection system in your country for recycling.

2.0 GENERAL INFORMATION

The Model 6010 Series POTS/ISDN Splitter Shelf comes in four different models (Table 1). All models should be installed in a 19 inch or 23 inch rack.

Table 1: 6010 Series Models

Model	Rack Space
6010/1U	Requires 1.75 inches (1U)
6010/3U	Requires 5.25 inches (3U)
6010/4U	Requires 7.00 inches (4U)
6010/9U	Requires 15.5 inches (9U)

3.0 INSTALLING THE SHELF



The interconnecting cables shall be acceptable for external use and shall be rated for the proper application with respect to voltage, current, anticipated temperature, flammability, and mechanical serviceability.

The Model 6010 shelf is supplied with mounting brackets and hardware to allow installation in a 19 inch or 23 inch rack. By repositioning the mounting brackets, the shelf can be installed with the connectors facing the front or rear. With the connectors facing the front, a depth of 10 inches would be sufficient to mount the shelf with cables installed.

Note See Table 1 on page 5 for rack space requirements for each 6010 model.

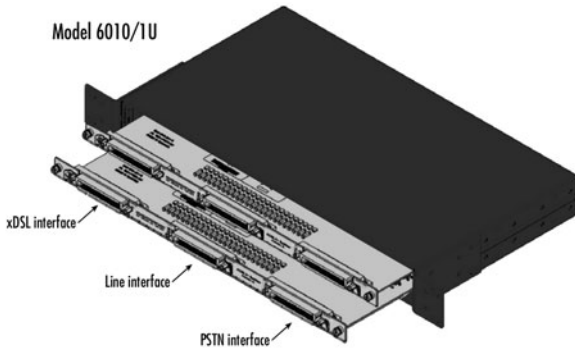


Figure 1. 6010/1U

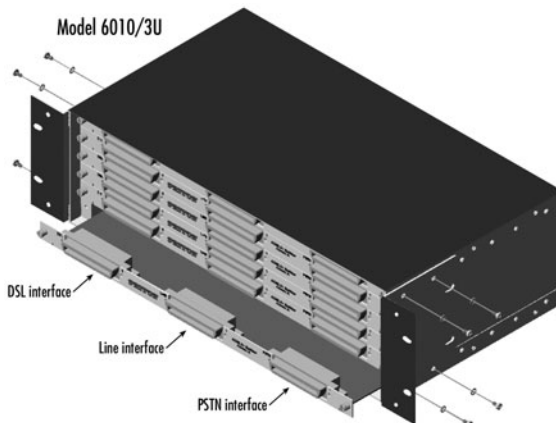


Figure 2. 6010/3U

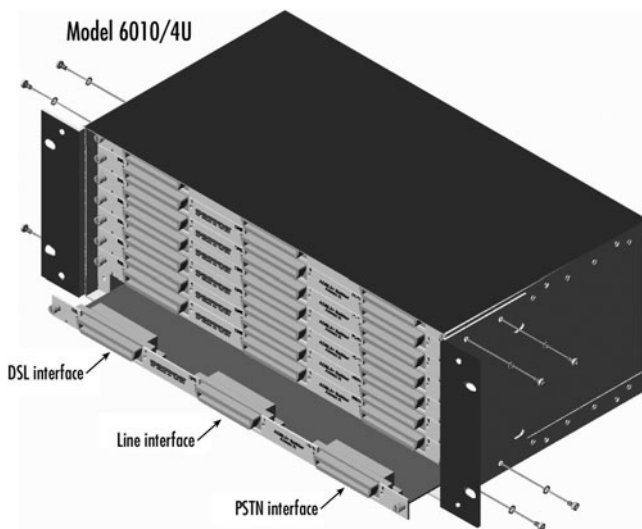


Figure 3. 6010/4U

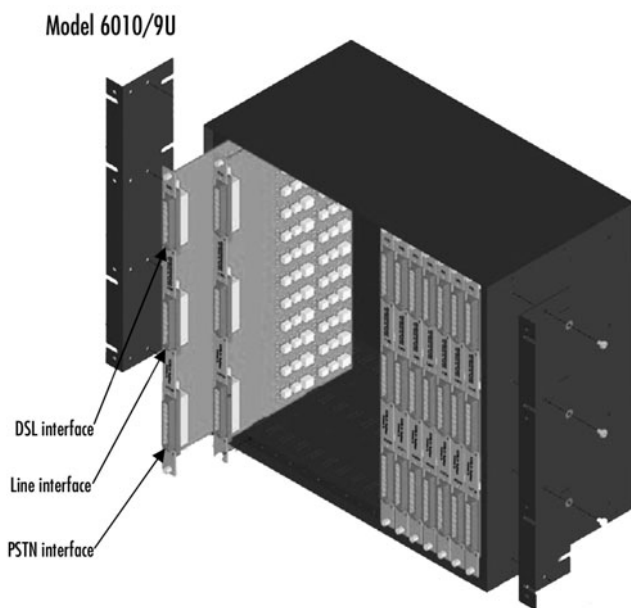


Figure 4. 6010/9U

4.0 GROUNDING THE SHELF

To comply with the Network Equipment Building Systems (NEBS) requirements, a suitable ground must be provided. The ground lug on the chassis **must be used** for the ground wire.

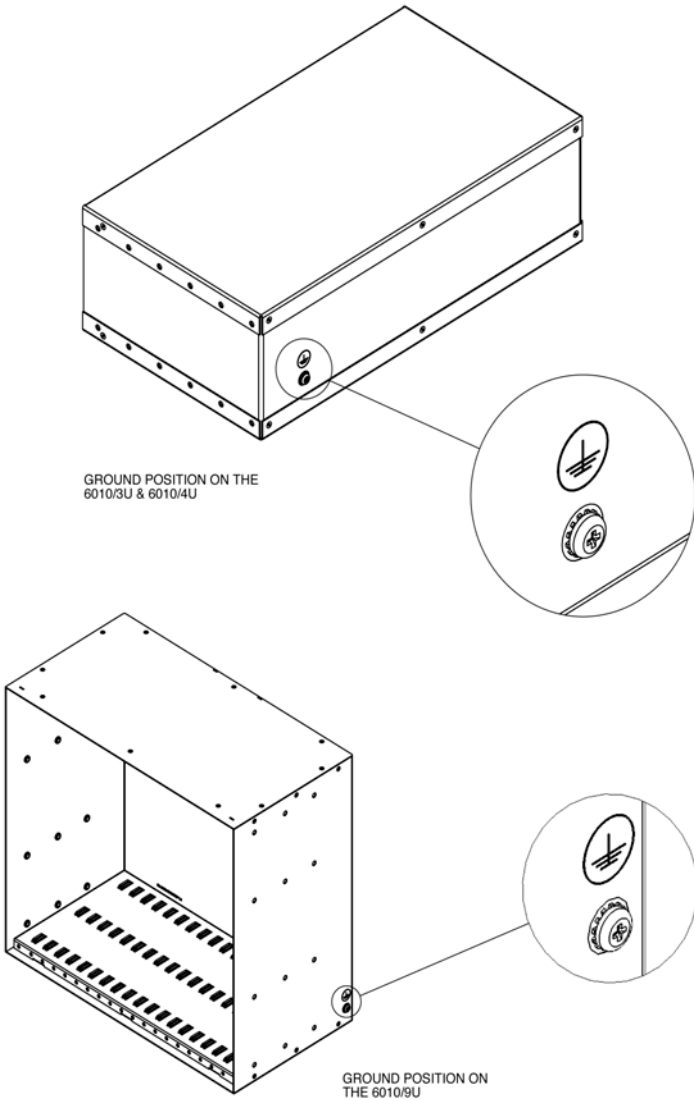


Figure 5. Grounding the Model 6010

5.0 CABLING OVERVIEW



The interconnecting cables shall be acceptable for external use and shall be rated for the proper application with respect to voltage, current, anticipated temperature, flammability, and mechanical serviceability.

The Model 6010 Splitter Shelf cabling configurations will vary depending on installation locations and the number of lines supported by the DSLAM. However, the physical interface to the Front Panel connectors are standard 50-pin RJ-21 type receptacle connectors. Each Splitter card uses 24 pairs of the 25 pairs available on each 50-pin connector.

6.0 CONNECTOR PINOUTS

- DSL signals to and from the DSLAM enter the 6010 splitter shelf using the left most telephone connectors, designated '**DSL**' interface.
- Signals to and from the LINE (outside plant) enter the 6010 splitter shelf using the centertelephone connectors, designated '**LINE**' interface.
- Cables to and from the central office switch enter the 6010 splitter shelf via the right hand telephone connectors, designated '**PSTN**' interface.

Note See Table 2 on page 10 for connector pinouts.

6.1 CONNECTOR PINOUTS TABLE

Filter No.	ADSL Tip	Connector Ring	LINE Tip	Connector Ring	PSTN Tip	Connector Ring
1	26	1	26	1	26	1
2	27	2	27	2	27	2
3	28	3	28	3	28	3
4	29	4	29	4	29	4
5	30	5	30	5	30	5
6	31	6	31	6	31	6
7	32	7	32	7	32	7
8	33	8	33	8	33	8
9	34	9	34	9	34	9
10	35	10	35	10	35	10
11	36	11	36	11	36	11
12	37	12	37	12	37	12
13	38	13	38	13	38	13
14	39	14	39	14	39	14
15	40	15	40	15	40	15
16	41	16	41	16	41	16
17	42	17	42	17	42	17
18	43	18	43	18	43	18
19	44	19	44	19	44	19
20	45	20	45	20	45	20
21	46	21	46	21	46	21
22	47	22	47	22	47	22
23	48	23	48	23	48	23
24	49	24	49	24	49	24

Table 2: Model 6010 Series Connector Pinouts

NOTES
